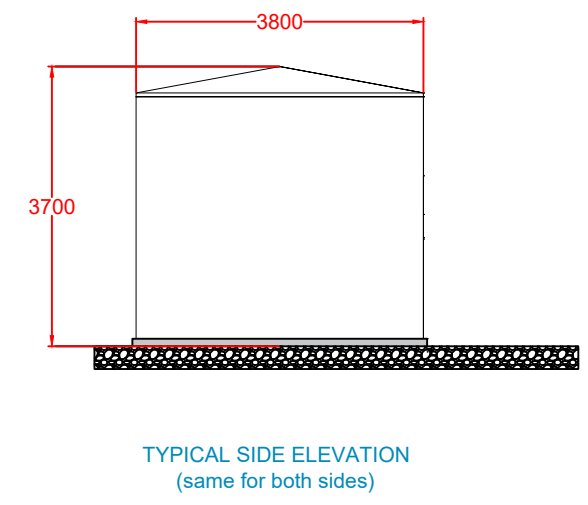
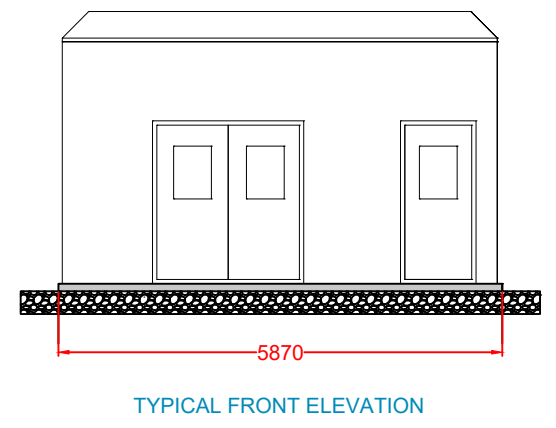
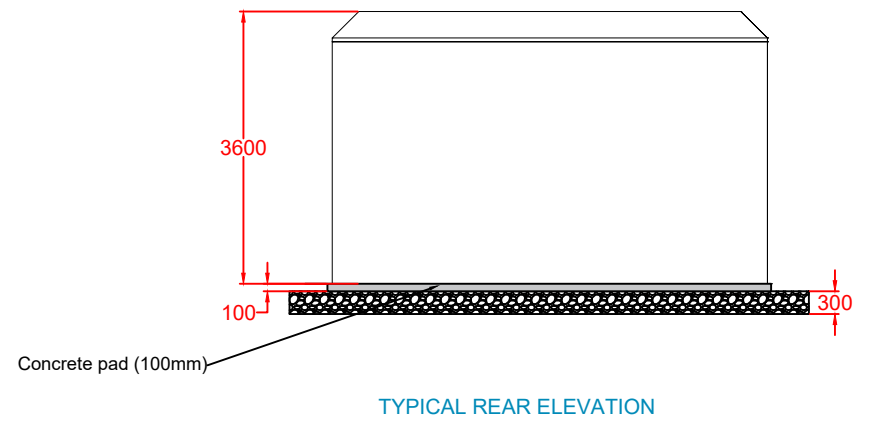
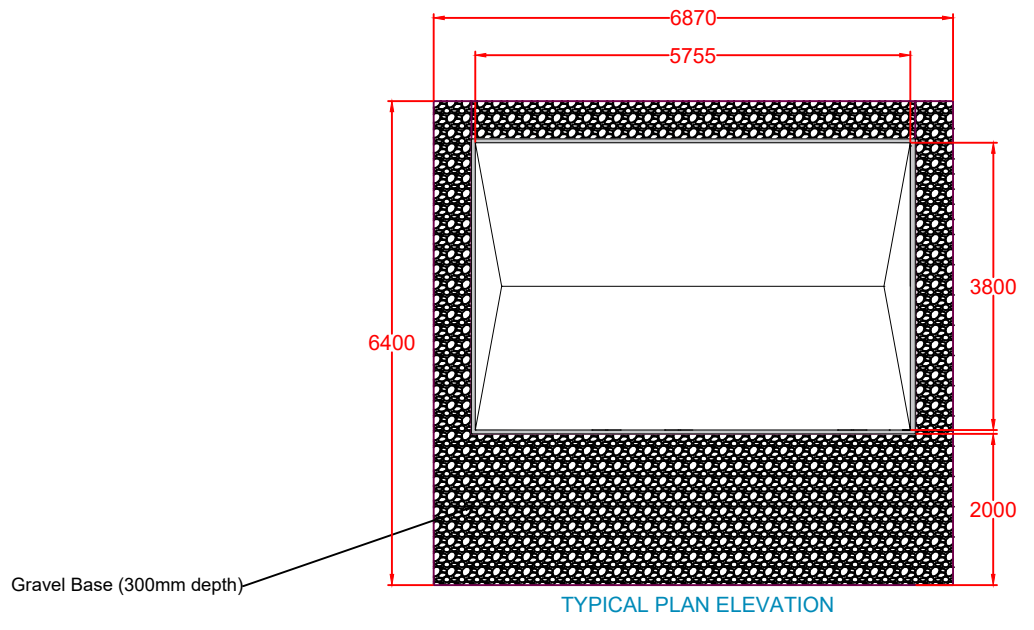


- Notes**
1. Verifying Dimensions: The contractor shall verify dimensions against such other drawings or site conditions as pertain to this part of the work.
 2. Existing Services: Any information concerning the location of existing services (above and below ground) indicated on this drawing is intended for general guidance only. All services should be checked on site prior to any work commencing.
 3. If received electronically it is the recipients responsibility to print to correct scale. Only written dimensions should be used.
 4. © Crown copyright and database rights 2022 Ordnance Survey 0100031673.



Rev	Description	By	CB	Date

[+44 \(0\) 208 088 4240](tel:+442080884240)
[+353 \(0\) 1 680 0180](tel:+353216800180)
www.elgin-energy.com
 London | Dublin | Sydney

Project GENERAL

Title TYPICAL CUSTOMER SUBSTATION

Status Drawn By PM/Checked by
 Status GG Rob Kelly

Site Ref Scale @ A3 Original Date Created
 General 1:100 July 2022

Drawing Number Rev
 ELGIN-CUSTOMERSUB-001 -